

PLEASE CHECK WWW.MOLEX.COM FOR LATEST PART INFORMATION

Part Number: [0524840410](#)
Status: **Active**
Description: 2.0 W/B CONN. IDT REC. HSG ASSY

Documents:

[3D Model](#) [Product Specification PS-51090-007 \(PDF\)](#)
[Drawing \(PDF\)](#) [RoHS Certificate of Compliance \(PDF\)](#)

Agency Certification

CSA LR19980
 UL E29179

General

Product Family IDT and Solder Connectors
 Series [52484](#)
 Crimp Quality Equipment Yes
 Product Name Mi II™

Physical

Circuits (Loaded) 4
 Color - Resin Natural
 Durability (mating cycles max) 30
 Flammability 94V-0
 Gender Female
 Glow-Wire Compliant No
 Lock to Mating Part None
 Material - Metal Phosphor Bronze
 Material - Plating Mating Tin
 Material - Plating Termination Tin
 Material - Resin Nylon
 Number of Rows 1
 Packaging Type Bag
 Panel Mount No
 Pitch - Mating Interface (in) 0.079 In
 Pitch - Mating Interface (mm) 2.00 mm
 Plating min: Mating (µin) 36
 Plating min: Mating (µm) 0.90
 Plating min: Termination (µin) 36
 Plating min: Termination (µm) 0.90
 Temperature Range - Operating -40°C to +105°C
 Wire Insulation Diameter 0.85-1.05mm (.033-.041")
 Wire Size AWG 26, 28

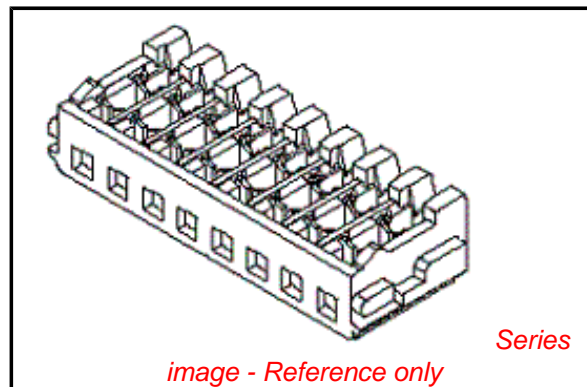
Electrical

Current - Maximum per Contact 1.5A
 Voltage - Maximum 125V

Material Info

Reference - Drawing Numbers

Product Specification PS-51090-007, RPS-54111-005
 Sales Drawing SD-52484-008



EU RoHS

ELV and RoHS Compliant
REACH SVHC
 Not Reviewed
Halogen-Free Status

China RoHS



Need more information on product environmental compliance?

Email productcompliance@molex.com
 For a multiple part number RoHS Certificate of Compliance, [click here](#)

Please visit the [Contact Us](#) section for any non-product compliance questions.

Search Parts in this Series

[52484Series](#)

Mates With

[51206](#) , [53313](#) , [55460](#) , [53358](#) , [53324](#) , [53325](#)

Application Tooling | FAQ

Tooling specifications and manuals are found by selecting the products below. Crimp Height Specifications are then contained in the Application Tooling Specification document.

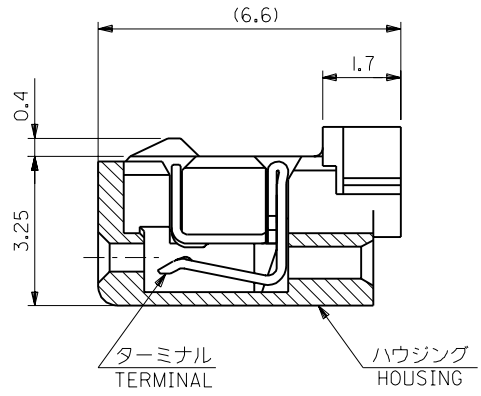
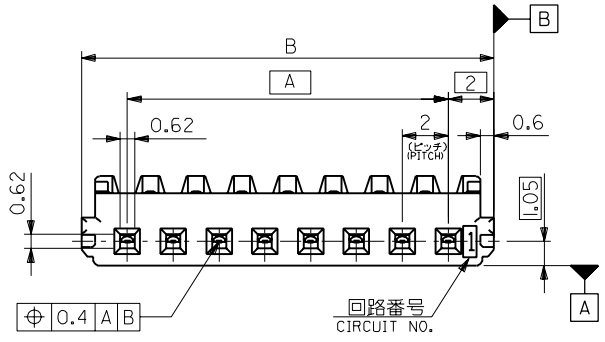
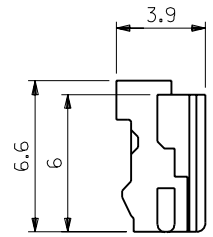
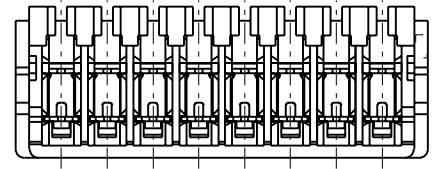
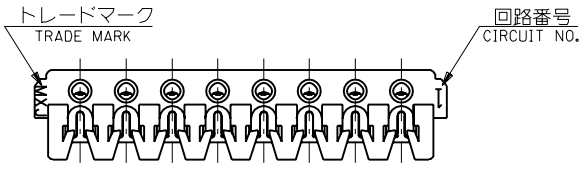
Japan

Description	Product #
Hand Crimper	0573255000
Die Set For 57222-7000	0572257000
IDT Bench-Top Terminator (Small Type) for Mi II™	0572257100
Fully-Automated IDT Machine (XELOM-PLUS)	0578008000

Fully-Automated IDT 0578008400
Machine (XELOM-
PLUS)
Fully-Automated IDT 0578258000
Machine (XELOM-
SIMPLE)
IDT Bench-Top 0578657000
Terminator for Mi II™

This document was generated on 04/16/2010

PLEASE CHECK WWW.MOLEX.COM FOR LATEST PART INFORMATION



ターミナル装着状態図
FIGURE OF TERMINAL WHEN ASSEMBLED
(SCALE : 10-1)

注記 NOTES

1. 嵌合相手: 53324-***0, 53325-***0, 53358-***0, 53401-***0
MATES WITH
2. 材質 MATERIAL
ハウジング: ガラス入り66ナイロン, UL94V-0, 色: 表参照
HOUSING: GLASS FILLED 66 NYLON, UL94V-0, COLOR: SEE CHART
ターミナル: りん青銅, 錫メッキ (t=0.2)
TERMINAL: PHOSPHOR BRONZE, PRE-TINNED (t=0.2)
3. 適合クリップ: 51094-***05
APPLICABLE CLIP



製品番号 MATERIAL NO.
52484-***
極数 CIRCUIT SIZE

ナチュラル(白) NATURAL(WHITE)	0
赤 RED	2
黄 YELLOW	3
青 BLUE	4

32	28	52484-151*	15	52484-***1*
30	26	-141*	14	
28	24	-131*	13	
26	22	-121*	12	
24	20	-111*	11	
22	18	-101*	10	
20	16	-091*	9	
18	14	-081*	8	
16	12	-071*	7	
14	10	-061*	6	
12	8	-051*	5	52484-021*
10	6	-041*	4	
8	4	-031*	3	
6	2	52484-021*	2	
B	A	製品番号 MATERIAL NO.	極数 CIRCUIT	MODEL NO.

EC NO. DRWN: CHK: APPR:	EC NO. DRWN: CHK: APPR:	EC NO. DRWN: CHK: APPR:	EC NO. DRWN: CHK: APPR:	EC NO. DRWN: CHK: APPR:	RELEASED EC No. JD2000-0703 DRWN: K.KOBAYASHI 00/05/07 CHK: J.MIYAZAWA 00/05/07 APPR: H.IKESUGI 00/05/07	DESCRIPTION	MATERIAL 材料	GENERAL TOLERANCES: (UNLESS SPECIFIED) 一般公差	SCALE 5-1	DESIGN UNITS <input checked="" type="checkbox"/> mm <input type="checkbox"/> INCH	THIRD ANGLE PROJECTION	DIMENSIONS: <input type="checkbox"/> mm <input type="checkbox"/> INCH <input checked="" type="checkbox"/> mm ONLY	SHT REV
							注参照 SEE NOTES	10 UNDER 未満	+0.2	DRAWN BY & DATE K Kobayashi 00/05/07	TITLE: 2.0 W/B CONN. IDT REC. HS'G ASS'Y		REVISE ON CAD ONLY
							注参照 SEE NOTES	10 OVER 以上	+0.25	CHECKED BY & DATE Masumi 00/05/07			
								30 OVER 以上	+0.3	APPROVED BY & DATE 00/05/07		MOLEX INCORPORATED	
							WIRE RANGE 適用線径範囲	ANGLE 角度	+3°	CAD FILE NAME 52484008.S01	MATERIAL NO. SEE CHART	DRAWING NO. SD-52484-008	SHEET NO. 1 OF 1
							INS. RANGE 被覆外径			THIS DRAWING CONTAINS INFORMATION THAT IS PROPRIETARY TO MOLEX INCORPORATED AND SHOULD NOT BE USED WITHOUT WRITTEN PERMISSION.			SIZE B
8	7	6	5	4	3	2							EN-02J(097) MXJ-54